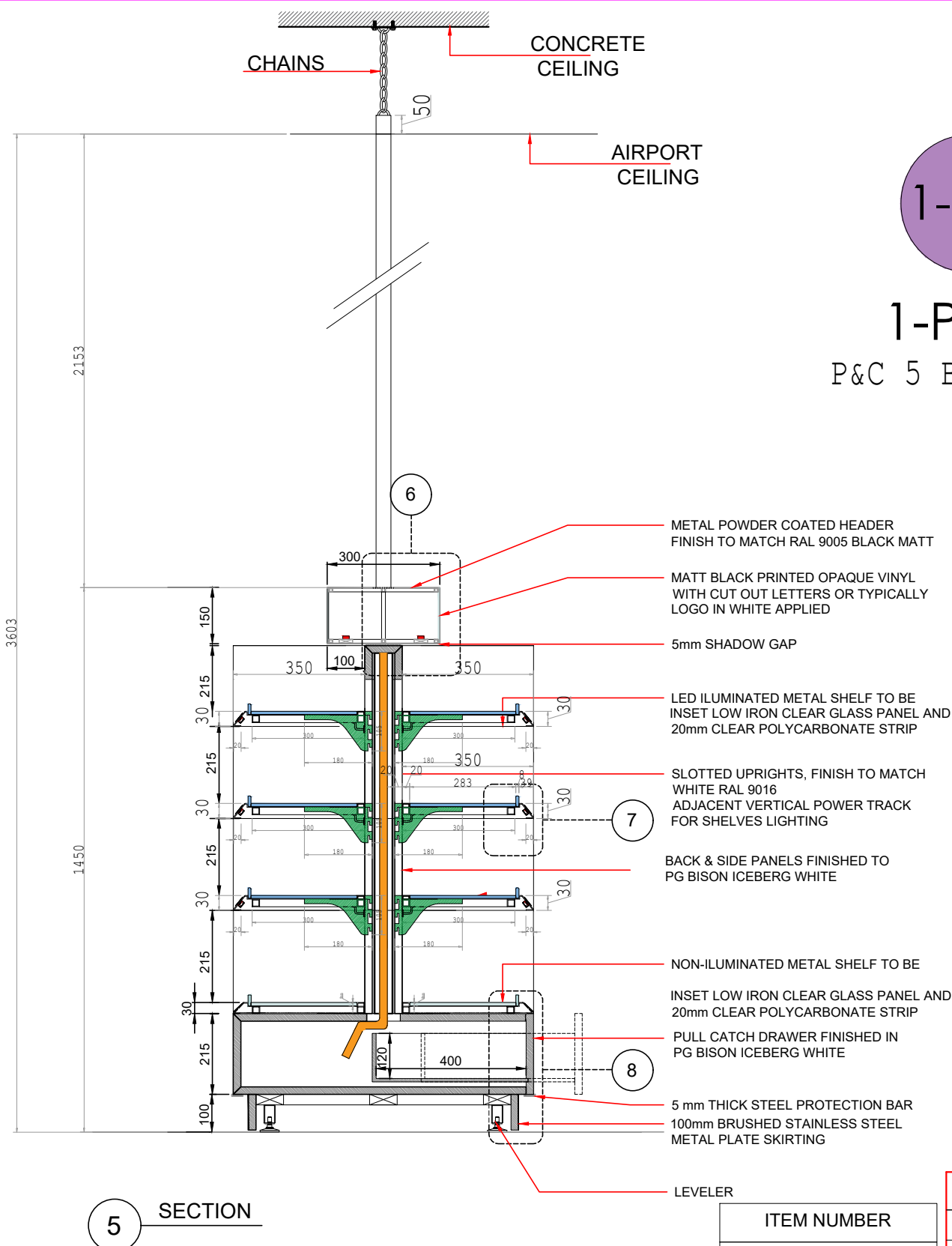


4 SIDE ELEVATION



5 SECTION

1-P5

1-P5 (3UNIT)
P&C 5 Bay Gondola

LIST OF MATERIAL & CODE

ITEM NUMBER	

WOODstyles

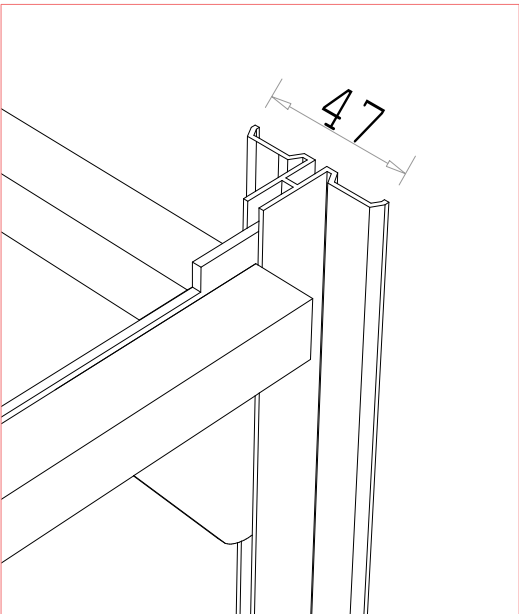
DOCUMENT CODE: WS-DS-SD-01
ISSUE DATE: OCT. 2021
REVISION DATE: OCT. 2021

5	10	Client
4	9	
3	8	Project
2	7	DSD-V1-RD- 29/11/2021
1	6	DSD-V1-RD- 12/10/2021
N°	Date	Last revision titles

Client	Abuja, Duty Free
Project	Abuja, Duty Free
Title	1-P5
ELEVATION / SECTIONAL DETAILS	

Drawn By	OBJ
Checked	---
Date	29/11/2021
Scale	--
Approved	Samir Bader

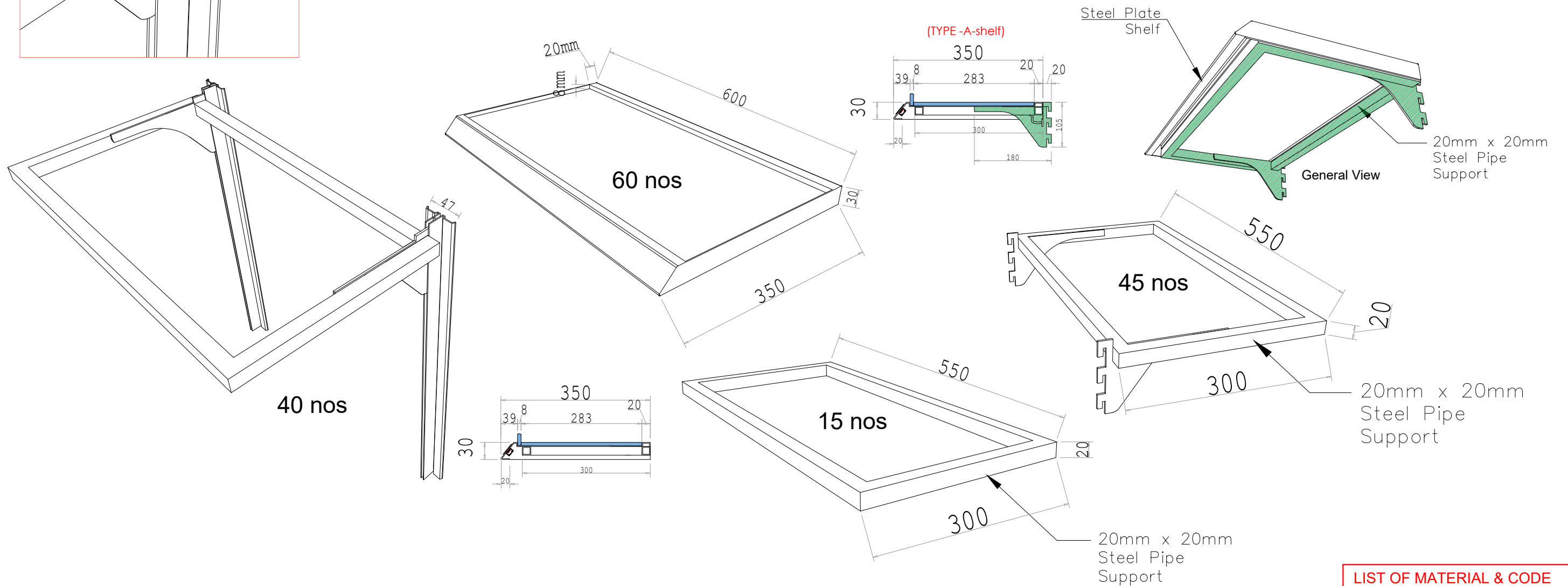
Drawing Number	
WS-DS-SD-DF-004	
Sheets No	Location No
2	



1-P5

1-P5 (3UNIT)

P&C 5 Bay Gondola (Steel Shelf with Support)



LIST OF MATERIAL & CODE

ITEM NUMBER	

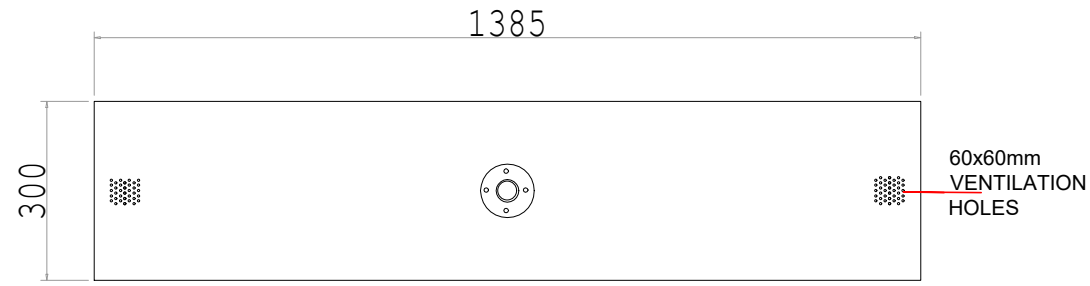
	5	10	Client	Drawn By	OBJ	Drawing Number	
	4	9		Checked	---	WS-DS-SD-DF-004	
	3	8	Project	Date	29/11/2021	Sheets No	Location No
	2	DSD-V1-RD- 29/11/2021	7	Abuja, Duty Free	Scale	--	3
	1	DSD-V1-RD- 12/10/2021	6	Title	1-P5 STEEL DETAILS	Approved	Samir Bader
DOCUMENT CODE:	WS-DS-SD-01	N°	Date	Last revision titles			

1-P5

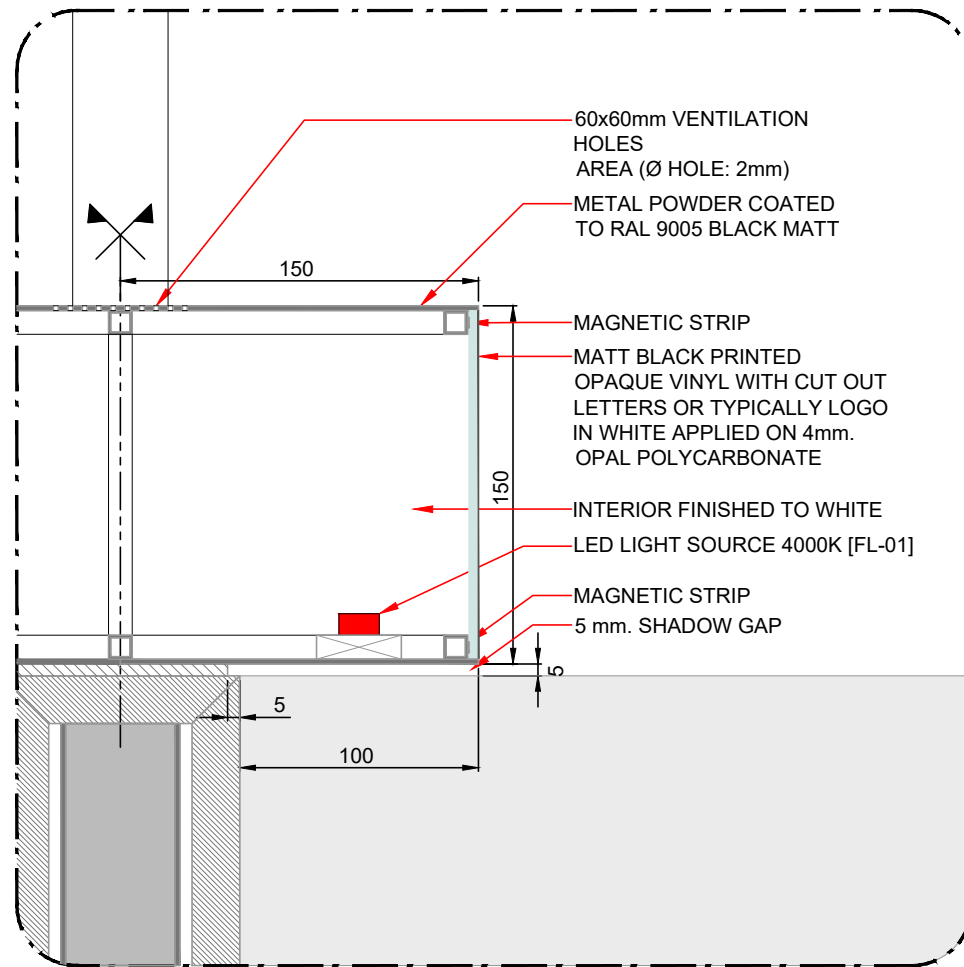
1-P5 (3UNIT)

P&C 5 Bay Gondola (LIGHT BOX)

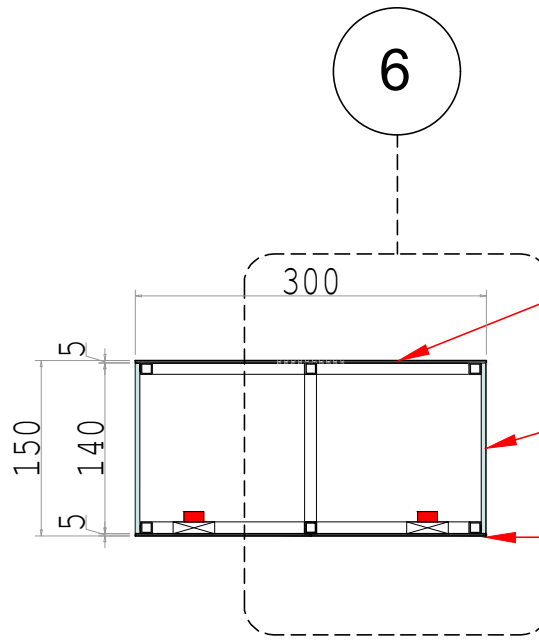
5 nos-LIGHT BOX(UP-BOX 1)



PLAN



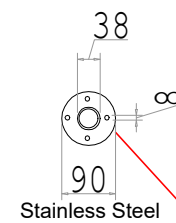
6 BRAND HEADER DETAIL



METAL POWDER COATED HEADER
FINISH TO MATCH RAL 9005 BLACK
MATT

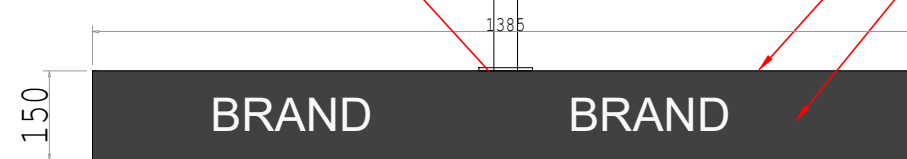
MATT BLACK PRINTED OPAQUE VINYL
WITH CUT OUT LETTERS OR TYPICALLY
LOGO IN WHITE APPLIED ON OPAL
POLYCARBONATE

5mm SHADOW GAP



METAL POWDER COATED HEADER
FINISH TO MATCH RAL 9005 BLACK
MATT

MATT BLACK PRINTED OPAQUE VINYL
WITH CUT OUT LETTERS OR TYPICALLY
LOGO IN WHITE APPLIED ON OPAL
POLYCARBONATE



SIDE VIEW

LIST OF MATERIAL & CODE

ITEM NUMBER	

	5	10	Client
	4	9	
	3	8	Project
	2	DSD-V1-RD- 29/11/2021	7
	1	DSD-V1-RD- 12/10/2021	6
DOCUMENT CODE:	WS-DS-SD-01	N°	Date Last revision titles
ISSUE DATE:	OCT. 2021		
REVISION DATE:	OCT. 2021		

			Client
			Project
			Title

	Abuja, Duty Free
	1-P5 5 nos-LIGHT BOX(UP-BOX 1)

Drawn By	OBJ
Checked	---
Date	29/11/2021
Scale	--
Approved	Samir Bader

Drawing Number	
WS-DS-SD-DF-004	
Sheets No	Location No
5	

